

Costar SI-C722PC

1/4" CCD Auto Focus and Zoom Day/Night Camera



The SI-C722PC is a 1/4" CCD high-resolution, auto-focus camera equipped with 242x optical zoom and day/night capabilities. Special features include: the premiere Sony Super HAD CCD technology providing 480 TVL of resolution in color and 530 TVL in black & white, light sensitivity as low as 0.001 lux (with ICR), an easy-to-use on-screen display menu, and digital image stabilization. Superior sensitivity with a Digital Slow Shutter feature gives the SI-C722PC excellent picture quality even in low light conditions.

Product Features

- 1/4" interline transfer Super HAD CCD image sensor
- Electrically driven zoom lens with maximum resolving power of 22X (selectable white balance, shutter speed and iris)
- Specially designed for challenging 24 hours surveillance applications
- Excellent picture quality
- Day & Night mode : Color converts to B&W in low light with an ICR (Infrared Cut filter Removal) function
- Superior sensitivity with DSS (Digital Slow Shutter)
- Support camera control available both RS232(485) and A/D control
- Incredible S/N ratio of 52dB with DNR (Digital Noise Reduction)
- Functions include:
 - D/N (Day / Night)
 - DIS (Digital Image Stabilize)
 - DNR (Digital Noise Reduction)
 - AE (Auto Exposure)
 - BLC (Back Light Compensation)
 - D-Zoom (Digital Zoom)
 - B/W (Black / White)
 - FREEZE (Rear & still picture)
 - Low-SHUT (Digital Slow shutter)
 - WDR (Wide Dynamic Range)
 - AWB (Auto White Balance)
 - AGC (Auto Gain Control)
 - OSD (On Screen Display)
 - NEGA/POSI (Negative / Positive)
 - PIP (Picture In Picture)
 - MIRROR (Right, left reverse picture)

SI-C722PC Specifications

Power

Power Source	12V DC +/- 10%
Power Consumption	5.5W Max.

Sensor and General Information

Processing	Sony Super HAD
Image Sensor	1/4" Interline Transfer CCD
Pixel Element	768 (H) x 494 (V)
Scanning System	2:1 interlace
Scanning Frequency	15.625KHz (H), 50Hz (V)
Sync. System	Internal/External (Linelock)

Video

Resolution	480 TV Lines (Color) 530 TV Lines (B&W)
Minimum Illumination	0.5 lux (Color), 0.05 lux (B/W), 0.001 lux (Low-shutter)
Video Output	1.0 Vp-p (75 ohm, composite)
S/N Ratio	52db (AGC off)
Camera Control	RS232, RS485(FastraxII E, Pelco D), A/D key

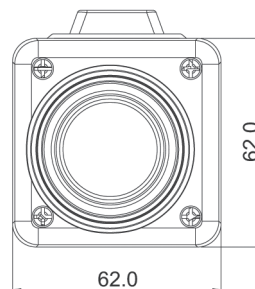
Functions & Lens

Focus Mode	Auto/Manual/Push AF
White Balance	AWB, Indoor, Outdoor, Manual, WAWB
Auto Exposure	Auto/ Iris PRI/ Shutter PRI/ AGC/ Manual
Iris Control	Auto/ Manual (F1.6 ~ F32)
AGC	ON/OFF (30dB max)
Shutter Speed	Normal ~ 1/10,000
BLC	Default / ADJ Top / ADJ Bottom / Level / Off
Title	A ~ Z / 0 ~ 9
Display	On / Off / Push On (DISP0 / DISP1 / DISP2)
Cam ID	001 ~ 255
BPS	2400 / 4800 / 9600 / 19200
Brightness	0 ~ 90 steps
Sharpness	0 ~ 15 steps
Distance	0.1M / 1.0M / 1.5M / 2.5M / 6.0M
Low Shutter	x2 ~ x60
Effect	D&N, D-Zoom, Nega/Posi, B/W, Mirror, PIP, Freeze
Preset	INIT / LOAD / SAVE
DNR	On / Off
SHOT	Normal / DIS / WDR / Low-shutter
Zoom Ratio	Optical 22x, Digital 11x Zoom (Video AF)
Focus Length	f = 3.9 mm ~ 85.8 mm
Aperture Ratio	F1.6 (wide) ~ F3.7 (tele)

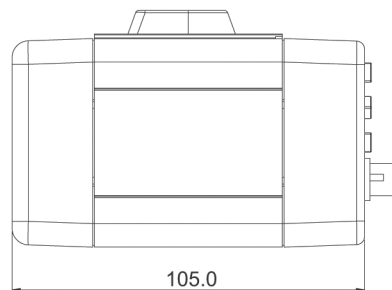
Connector and Mechanical

Power Input	3-pin terminal block
Video Output	BNC connector
Operating Temp	-10°C ~ +50°C
Operating Humidity	0 ~ 96% (non-condensing)
Storage Temp	-20°C ~ +60°C
External Dimension	62(W) x 62(H) x 105(D) mm
Weight	315 g

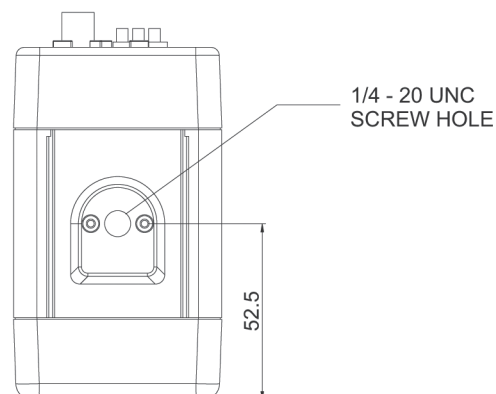
Front View



Right Side View



Top View



Design and specifications subject to change without notice.

Conversion: 1" = 25.4mm

Measurement conversions are approximate.