

YUKON SERIES

Preliminary
Release

CAMERALINK DIGITAL CAMERA LINEUP

BW & COLOR MODELS

Compact Form Factor
Unbeatable Frame Rate
Simplified Connectivity (Camera Link®)
Partial Scan and External Trigger
Rugged Industrial Design



IMI YUKON SERIES

IMB-145CL / 1045CL / 1142CL
IMC-1045CL / 1142CL



Overview

The YUKON SERIES' incorporates the new industry standard Camera Link® as a digital video interface. The new standard effectively combines up to 26 parallel digital signals into four high-speed signal pairs on full mode enabling High-Speed, High-Resolution with simple connectivity. Every unit has passed our rigorous testing procedure to ensure reliability even in mission critical applications.



*INDUSTRY STANDARD CAMERA LINK®
COMPACT DESIGN WITH EXTERNAL TRIGGER*



Features

The industry standard Camera Link® compliant YUKON SERIES' High resolution at High speed for every application need. The most common adjustments required such as gain, gamma, AGCC are easily accessible with the ease of capture by a external trigger. RS232 Control, , horizontal and vertical Binning mode 1x2,1x4,2x1,2x2, 2x4 4x1,4x2,4x4 (for 1045CL only) provides maximum flexibility for real applications. Color Model as well as B&W Models are available providing suitable solutions for every need. The compact form factor expands applications range to fit easily preserving functionality. For 1045CL & 1142CL models small 26 connectors giving even more flexibility in application space requirement,.

Applications

Machine Vision
Semi Con Inspection
F&B Inspection
Microscopy & Medical
Industrial Analysis
Bar Code, OCR, OCV

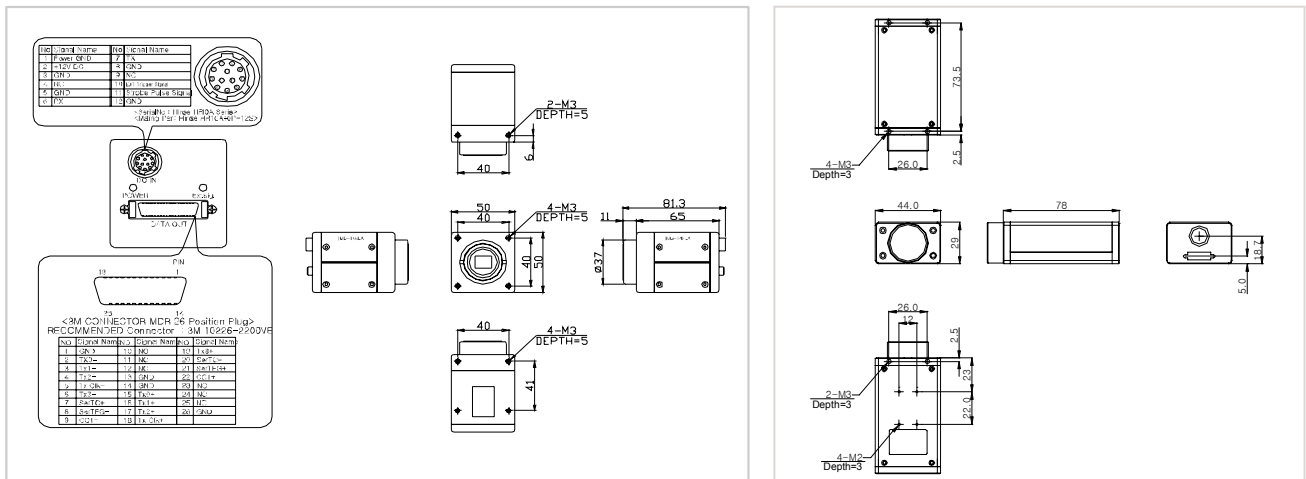


IMI TECHNOLOGY CO., LTD.

#2 Eun-Seok Bldg. 729-1 Yeoksam-Dong
Gangnam-Gu, Seoul 135-080, Korea
Tel : 82-2-539-6227 Fax : 82-2-539-6358
Email : w3master@imi-tech.com
Website : www.imi-tech.com

For Sales Inquiry and Technical Support ▶

Dimension (in mm)



Specifications

Features	IMB-145 CL	IMB-1045CL	IMB-1142 CL	IMC-1045 CL	IMC-1142 CL
Image Sensor	2/3" progressive scan CCD (Sony ICX285AL)	1/3" progressive scan CCD (KAI-0340D)	1/2" progressive scan CCD (Sony ICX267AL)	1/3" progressive scan CCD (KAI-0340D)	1/2" progressive scan CCD (Sony ICX267AQ)
Cell Size(um)	6.45 x 6.45	7.4 x 7.4	4.4 x 4.4	7.4 x 7.4	4.4 x 4.4
Effective pixels	1392(H)x1040(V)	-	-	-	-
Max Resolution	1280x960	640x480	1392x1040	640x480	1388x1036
FPS at Max resolution	20	200	38	200	38
Power Requirements	500mA @+12VDC	TBD	TBD	TBD	TBD
Partial Scan (Binning)		1x2,1x4,2x1,2x2, 2x4 4x1,4x2,4x4	2x1,2x2 binning	1x2,1x4,2x1,2x2, 2x4,4x1,4x2,4x4	2x1,2x2
Shutter Speed	1/15~1/50,000sec	TBD	TBD	TBD	TBD
Gain Control	0~24dB	0 ~ 25 dB	0~27dB	0 ~ 25 dB	0~24dB
Gamma	1(Factory Default)	1(Factory Default)	1(Factory Default)	1(Factory Default)	1(Factory Default)
Data path (Color)	10 bit	10 bit	10 bit	10 bit Bayer	10 bit Bayer
External Trigger	Falling or Rising Edge				
Signal to Noise ratio	56dB or better				
Video Out Interface	Camera Link, RS-232C(Supply Voltage 8 ~ 30V DC from cable)				
Lens Mount	C Mount				
Regulations	FCC, CE, MIC				
Operation Temperature	-5°C ~ 45°C				
Dimensions (mm)	50(W)x50(H)x76(L)	44(W)x29(H)x90(D)	44(W)x 29(H)x90(D)	44(W)x29(H)x90(D)	44(W)x 29(H)x90(D)
Weight (grams)	330	150	150	150	150
Supplied Accessories	Lens cover, User's Manual, Control program				

Note : Specification may subject to change without notice.